

## wall mounting socket outlet

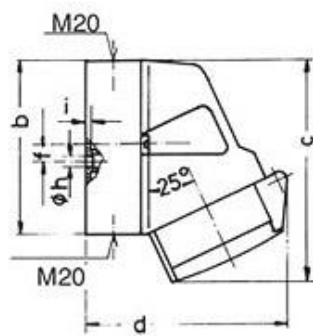
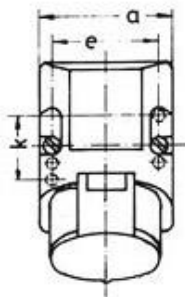


| Product description       |                                |
|---------------------------|--------------------------------|
| BALS-Prd.-Nr              | 11302                          |
| EAN                       | 4024941113021                  |
| Product group             | GT wall mounting socket outlet |
| Current                   | 16A                            |
| Number of poles           | 3p                             |
| Arrangement of the phases | 2P+PE                          |
| Earth 'clock' position    | 4 h                            |
| Voltage                   | 100 up to 130V                 |
| Frequency                 | 50 and 60Hz                    |

| Product description    |   |
|------------------------|---|
| Protection degree      | IP44  |
| Colour code            | yellow  |
| Colour of appliance    | Collar yellow, Hinged lid yellow, Housing bottom grey, Housing top grey |
| Connection design      | screw terminal  |
| Maximum conductor size | 4,0 qmm   |
| Cable entry            | 1x Top entry M20 1x Bottom entry M20                                    |
| Dimension of enclosure | 87x64 mm (HxW)  |
| Material of enclosure  | Polyamide   |
| Contacts               | The contact carrier is made of polyamide, The contacts are brass        |

| Logistics data |                  |
|----------------|------------------|
| Weight/pcs     | 0.195 kg / piece |
| Packaging      | bag              |
| Content amount | 1 ST             |
| EAN            | 4024941113021    |
| Length         | 410 mm           |
| Width          | 285 mm           |
| Weight         | 0.195 kg         |
| Packaging      | carton           |
| Content amount | 10 ST            |
| EAN            | 4024941967938    |

| Logistics data |           |
|----------------|-----------|
| Length         | 258 mm    |
| Width          | 183 mm    |
| Height         | 212 mm    |
| Weight         | 2.102 kg  |
| Volume         | 8,750 ccm |



| Amperes<br>Poles              | 16  |     |     |
|-------------------------------|-----|-----|-----|
|                               | 3   | 4   | 5   |
| a                             | 64  | 75  | 75  |
| b                             | 87  | 100 | 100 |
| c                             | 117 | 129 | 131 |
| d                             | 103 | 108 | 116 |
| e                             | 51  | 59  | 59  |
| f                             | -   | 11  | 11  |
| h                             | 4.1 | 5.1 | 5.1 |
| i                             | 4.5 | 4.5 | 4.5 |
| k                             | 40  | -   | -   |
| Conductor mm <sup>2</sup> min | 1.5 | 1.5 | 1.5 |
| Conductor mm <sup>2</sup> max | 4   | 4   | 4   |